

# On Highway Special Axles

In addition to the standard axles range, Carraro offers a wide variety of special versions to meet the most diverse requirements of our customers.

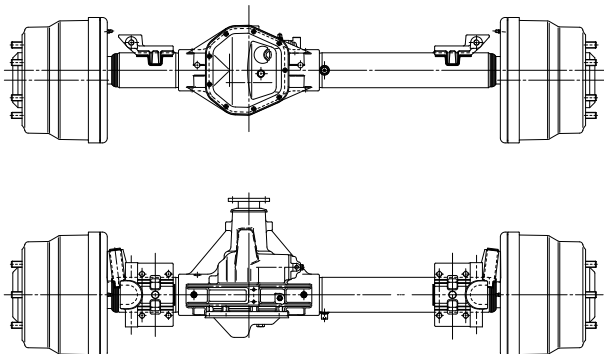
These customised versions include:

- › Portal axle for high ground clearance and higher gear ratio;
- › One or two speed transfer boxes directly flanged to the axle input, for use with hydrostatic or mechanical engines;
- › Axles for construction equipment, with parking brake fitted at the axle input and a possible direct connection to the hydraulic motor;
- › Non-driven axles complete the extensive line-up of Carraro products.

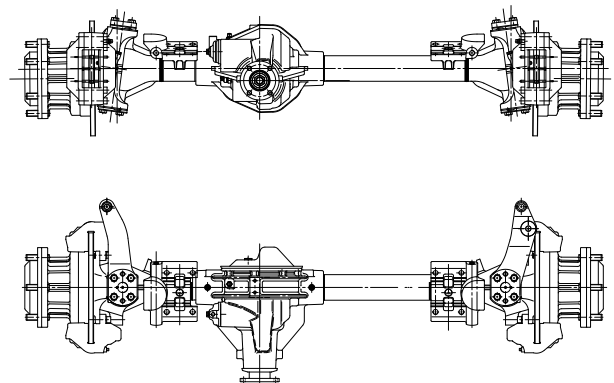
---

## Portal Axles

### Rigid Axles

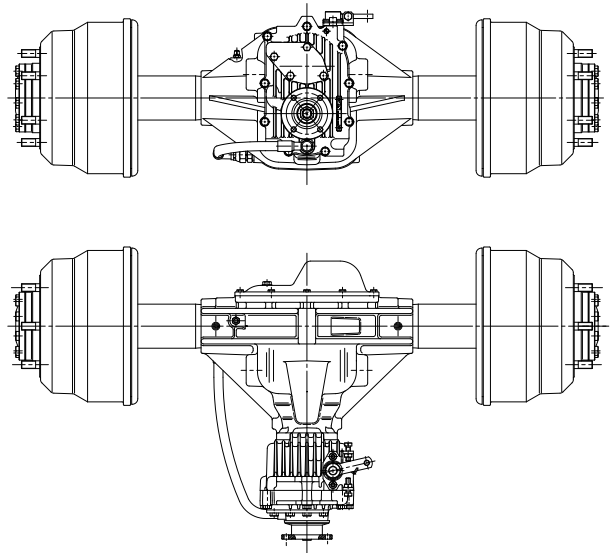
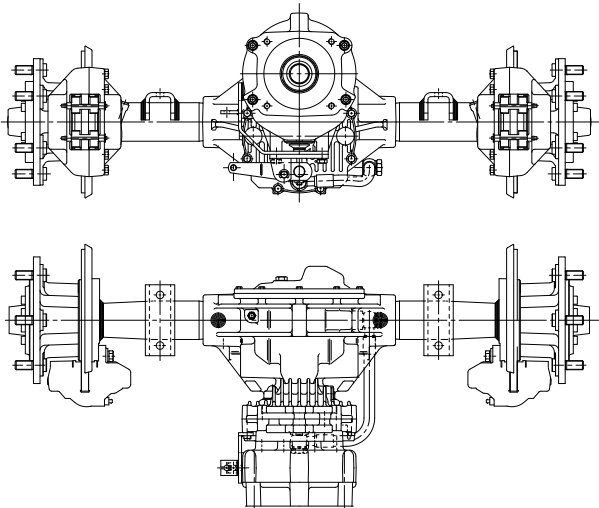


### Steering Axles



---

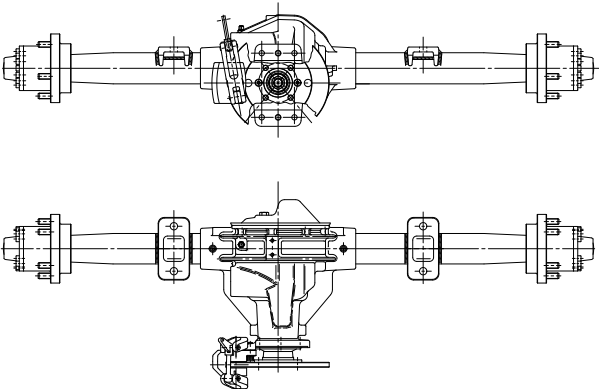
## Axles with Reduction Unit



---

## Axles for Construction Equipment

### Rigid Axles



### Steering Axles

