

Transaxles for Internal Combustion Lift Trucks

Applications

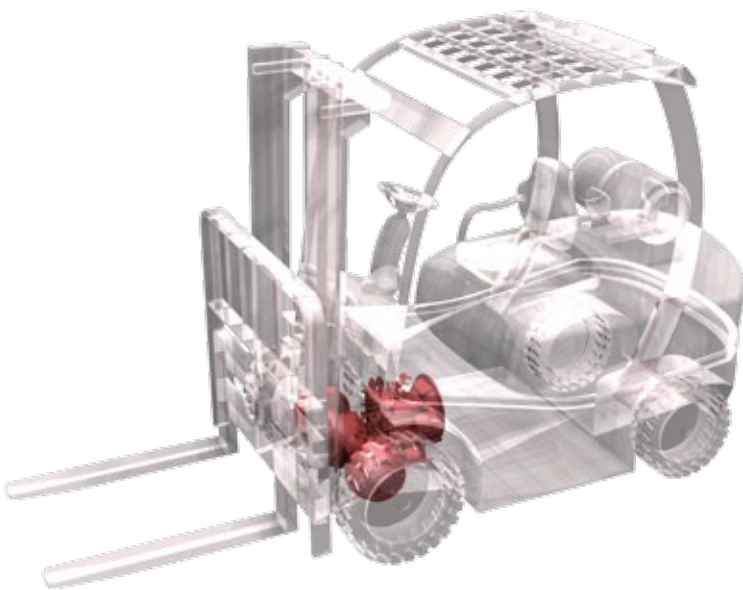
- › IC Counterbalance Lift Trucks
Cushion and Pneumatic

Standard features

- › Compact and modular design
- › Powershift Transmission FWD/REV
- › PTO drive included
- › Mechanical inching
- › Drum brakes
- › Integrated mast support
- › Optimized gears profile for noise reduction

Optional features

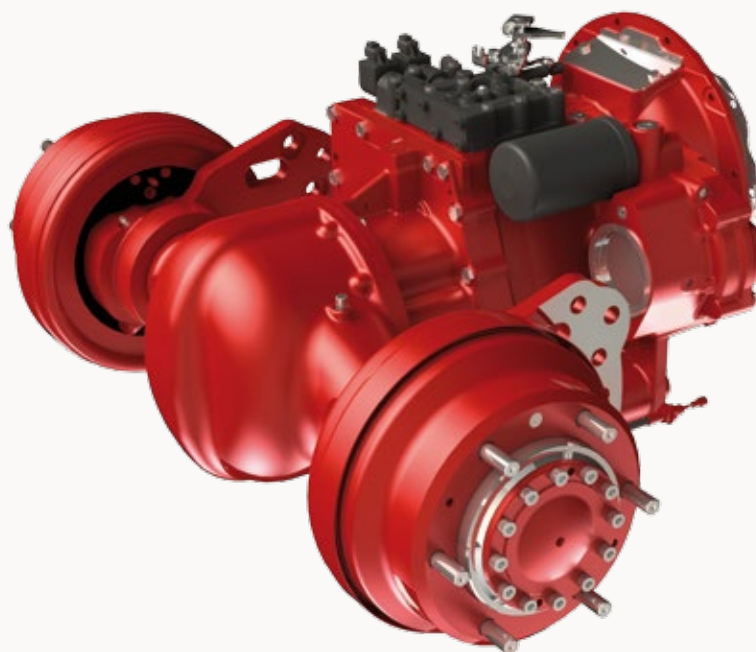
- › Hydraulic inching



Class IV & V

CLASS IV & V

		TA 120	TA 135
Lift capacity	Kg	2,000	3,500
Wheels Load	Kg	4,500	6,900
Torque at wheels	Nm	5,100	7,800
Transmission type		Single speed	Single speed
Range of ratios		13.46	16.17-17.76
Service and Parking Brake		Drum Brake	Drum Brake
PTO Drive		SAE A - 2 bolts	SAE B - 2 bolts
Input shaft to wheel shaft	mm	133	103
Flange to flange distance	mm	900	1,000
Wheel shaft to flywheel	mm	565	595
Mast mounting		Customized	Customized
Frame mounting		Customized	Customized
Wheel stud PCD	mm	156	235



Split Solution for Internal Combustion Lift Trucks

Applications

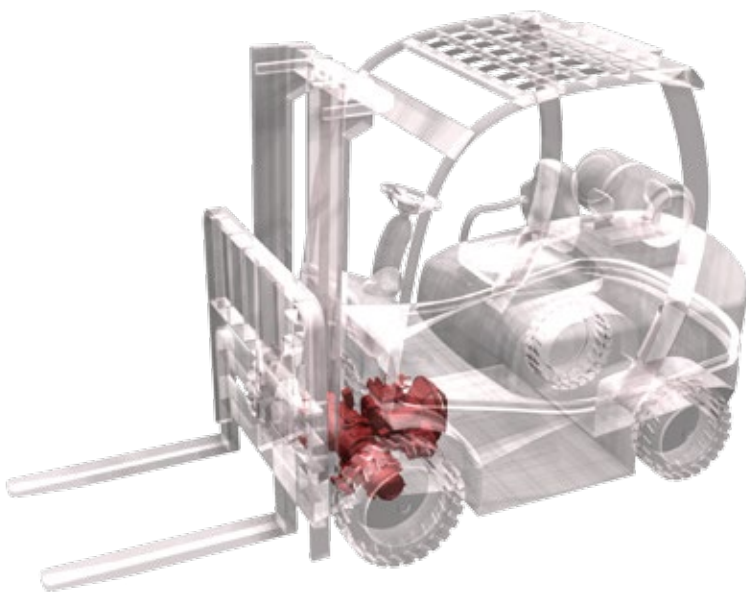
- › IC Counterbalance Lift Trucks
Cushion and Pneumatic

Standard features

- › Compact and modular design
- › Powershift Transmission FWD/REV
- › PTO drive included
- › Integrated mast support
- › Mechanical inching
- › Wet Disc Brakes
- › Maintenance Free
- › Increased ergonomics
- › Optimized gears profile for noise reduction

Optional features

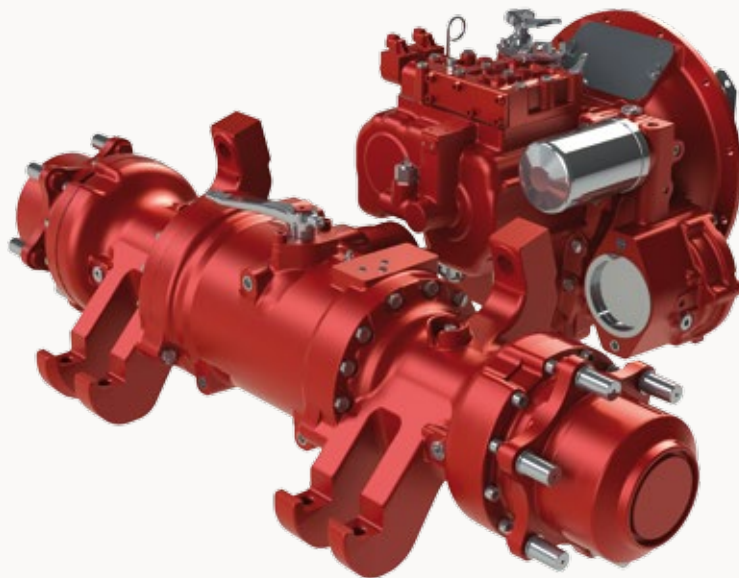
- › Hydraulic inching



Class IV & V

CLASS IV & V

		IC 25 + T165	IC 35 + T165
Lift capacity	Kg	2,500	3,500
Wheels Load	Kg	5,500	7,500
Torque at wheels	Nm	5,500	9,400
Transmission type		Single speed	Single speed
Axle ratios		14.85	12.8-17.8
Transmission ratios		1,213	1,213
Service and Parking Brake		Wet Disc	Wet Disc
PTO Drive		SAE B - 2 bolts	SAE B - 2 bolts
Input shaft to wheel shaft	mm	101	101
Flange to flange distance	mm	950	950
Wheel shaft to flywheel	mm	660	660
Mast mounting		Customized	Customized
Frame mounting		Customized	Customized
Wheel stud PCD	mm	220	220



Split Solution for Internal Combustion Lift Trucks

Applications

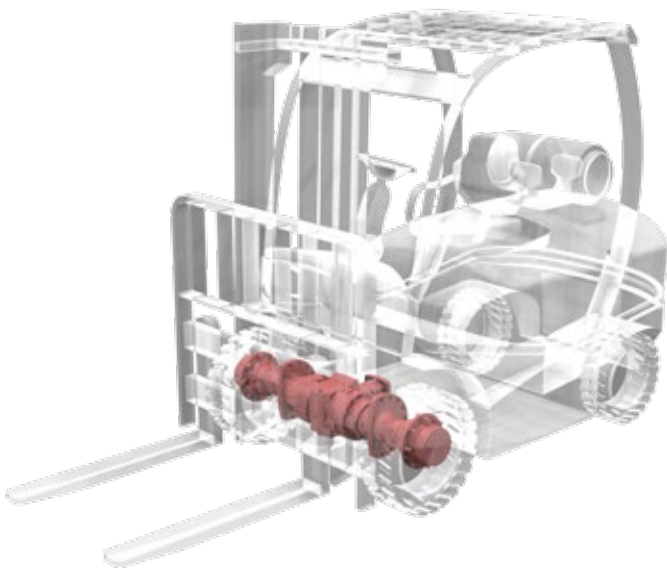
- › IC Counterbalance Lift Trucks

Standard features

- › Compact and modular design
- › Integrated mast support
- › Optimized gears profile for noise reduction
- › Wet Disc Brakes
- › Maintenance free

Optional features

- › Transfer box
- › Wide range of reduction ratio available



Class IV & V

CLASS IV & V

		IC 45	IC 90
Lift capacity	Kg	4,500	9,000
Wheels load	kg	9,500	136,000
Torque at wheels	Nm	16,000	25,000
Axle ratios		9.66-25.8	10.7-27.6
Service and Parking brake		Wet Disc	Wet Disc
Transmission type		Carraro Transfer Box	Carraro Transfer Box
Transmission ratios		1.2-3.2	1.2-3.2
Flange to flange distance	mm	1,140-1,530	1,250-1,450
Frame mounting	mm	Customized	Customized
Mast mounting	mm	Customized	Customized
Wheel stud PCD	mm	205-275	275

